

N2XSEYRY, NA2XSEYRY

ENERGETSKI KABELI S XLPE IZOLACIJOM I PVC PLAŠTEM ARMIRANI S OKRUGLIM ČELIČNIM ŽICAMA

Stara oznaka: XHP 84, XHP 84-A

Tipska oznaka po HRN HD: E-2XHCEYRY, E-A2XHCEYRY

Tipska oznaka po DIN VDE: N2XSEYRY, NA2XSEYRY

Standardi i norme: HRN HD 620 S1 Part 6 A-2
IEC 60 502-2

Nazivni napon: $U_0/U=6/10/12$ kV

Najviši napon mreže: $U_m=12$ kV

Ispitni napon: $U_i=21$ kV

OPIS KONSTRUKCIJE

- 1. Vodič:** bakreno ili aluminijsko užje, zbijeno
- 2. Ekran vodiča:** Poluvodljivi sloj na vodiču
- 3. Izolacija:** XLPE
- 4. Ekran izolacije:** Poluvodljivi sloj na izolaciji
- 5. Električna zaštita/ekran:** od bakrene trake
- 6. Unutarnji plašt:** PVC
- 7. Armatura:** čelične pocinčane okrugle žice i zavojnica od pocinčane čelične trake
- 8. Vanjski plašt:** PVC

POWER CABLES WITH XLPE INSULATION AND PVC SHEATH ARMoured WITH ROUND STEEL WIRES

Former code: XHP 84, XHP 84-A

Type coded acc. to HRN HD: E-2XHCEYRY, E-A2XHCEYRY

Type coded acc. to DIN VDE: N2XSEYRY, NA2XSEYRY

Standards and norms: HRN HD 620 S1 Part 6 A-2
IEC 60502-2

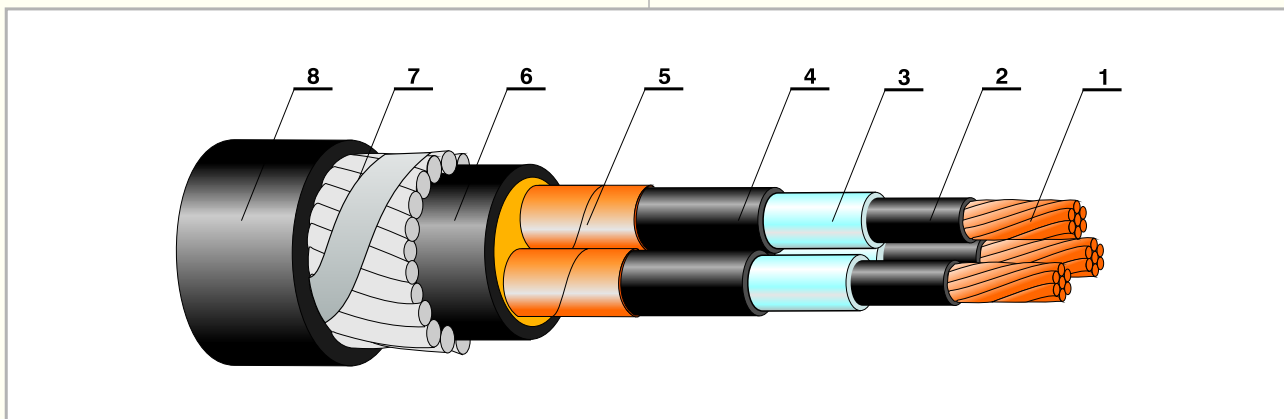
Nominal voltage: $U_0/U=6/10/12$ kV

Max. network voltage: $U_m=12$ kV

Test voltage: $U_i=21$ kV

CONSTRUCTION DESCRIPTION

- 1. Conductor:** copper or aluminium rope, compacted
- 2. Conductor screen:** semi-conductive layer over conductor
- 3. Insulation:** XLPE
- 4. Insulation screen:** semi-conductive layer over insulation
- 5. Electric protection/screen:** of copper tape
- 6. Inner sheath:** PVC
- 7. Armour:** galvanized steel round wires and coil of galvanized steel tape
- 8. External sheath:** PVC



MJESTO I PODRUČJE UPORABE

U zemlju, kanale, na konzole, gdje se očekuju mehanička oštećenja i velika mehanička vlačna naprezanja, za polaganje na kosim terenima.
Kao distributivni kabel u gradskim i ruralnim mrežama. Kao spojni kabel za industrijske pogone.

PLACE AND FIELD OF APPLICATION

In earth, ducts, on cable trays, where mechanical damages and severe mechanical tensile strains are expected, for laying on sloping grounds.
As distributive cable in urbane and rural networks. As connecting cable for industrial plants.

5.2.1. Izmjere i težine N2XSEYRY, NA2XSEYRY 6/10/12 kV

5.2.1. Sizes and weights N2XSEYRY, NA2XSEYRY 6/10/12 kV

Presjek vodiča i el. zaštite / Cross-section of Conductor and Electric Protection	Promjer vodiča / Conductor Diameter	Debljina izolacije / Insulation Thickness	Promjer preko izolacije / Diameter over Insulation	Debljina plašta / Sheath Thickness	Promjer kabela cca / Cable Diameter approx.	Težina kabela cca / Cable Weight approx.		Najmanji polumjer savijanja / Minimal Bending Radius
						Bakar / Copper	Aluminij / Aluminium	
nxmm ² /mm ²	mm	mm	mm	mm	mm	kg/km	kg/km	mm
3x35/16	7,2	3,4	16,2	2,6	52	5400	4750	620
3x50/16	8,3	3,4	17,3	2,7	54	6000	5050	650
3x70/16	10,3	3,4	19,3	2,8	57	6900	5600	680
3x95/16	11,3	3,4	20,3	2,9	61	8100	6400	730
3x120/16	12,7	3,4	21,7	3,0	66	9700	7500	790
3x150/25	14,1	3,4	23,1	3,2	71	11600	8800	850
3x185/25	15,7	3,4	24,7	3,4	73	12900	9500	870
3x240/25	18,0	3,4	27,2	3,6	78	14700	10200	930
3x300/25	20,0	3,4	29,2	3,8	83	17400	11800	1000