

## TBXOZO-HFVO

### TELEKOMUNIKACIJSKI, ARMIRANI, VATROOTPORNI KABEL BEZ HALOGENA ZA 60 V, 250 V i 0,6/1 kV

**Konstrukcija i ispitivanje prema standardu:**  
IEC 60092-350, IEC 60092-353, IEC 60092-376

**Maksimalna radna temperatura vodiča:** 90 °C

**Nominalni napon:** 60 V, 250 V, 0,6/1 kV

**Ispitni napon:** 1500 V, 1500 V, 3,5 kV

**Ispitivanje zapaljivosti:**  
IEC 60331, IEC 60332-1, IEC 60332-3/cat. A

**Ispitivanje na koroziju:** IEC 60754-1

**Ispitivanje gustoće dima:** IEC 61034

### OPIS KONSTRUKCIJE

- 1. Vodič:** pokositrena bakrena žica, klasa 2, IEC 60228  
Vidi tablicu 5.1.
- 2. Separator:** mica traka
- 3. Izolacija:** XLPE, prema IEC 60092-351
- 4. Separator:** prema zahtjevu
- 5. Ispuna i unutrašnji plašt:** smjesa na bazi poliolefina
- 6. Armatura:** oplet od pokositrenih bakrenih žica  
(minimalna gustoća 90%)
- 7. Plašt:** poliolefin, tip SHF 1 prema IEC 60092-359  
(SHF 2 na zahtjev)

### TELECOMMUNICATIONS, ARMoured, FIRE RESISTANT, HALOGEN FREE, FOR 60 V, 250 V AND 0,6/1 kV CABLE

**Construction and testing according to standards:**  
IEC 60092-350, IEC 60092-353, IEC 60092-376

**Maximum operating temperature of conductor:** 90 °C

**Nominal voltage:** 60 V, 250 V, 0,6/1 kV

**Testing voltage:** 1500 V, 1500 V, 3,5 kV

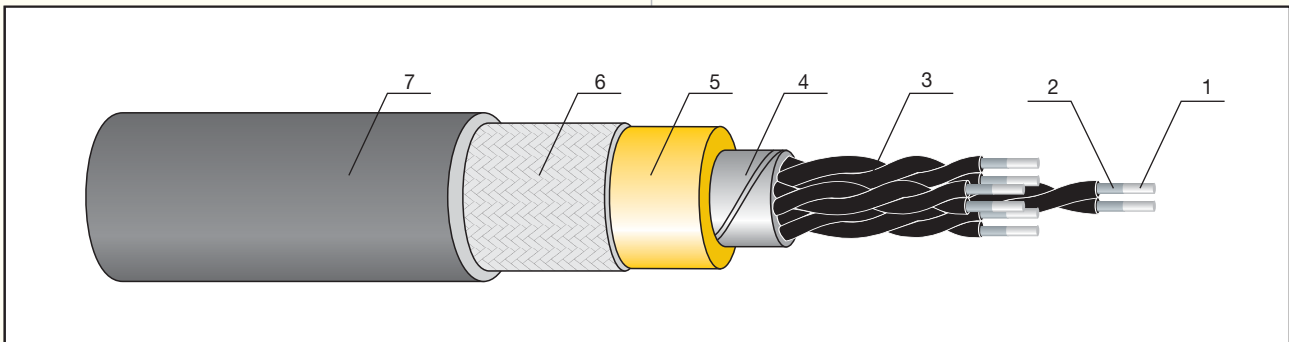
**Inflammability test:**  
IEC 60331, IEC 60332-1, IEC 60332-3/cat.A

**Corrosion test:** IEC 60754-1

**Smoke density test:** IEC 61034

### CONSTRUCTION DESCRIPTION

- 1. Conductor:** tinned copper wire, class 2, IEC 60228  
See Table 5.1.
- 2. Separator:** mica tape
- 3. Insulation:** XLPE, acc. to IEC 60092-351
- 4. Separator:** as required
- 5. Filler and inner sheath:** compound on the polyolefin basis
- 6. Armour:** tinned copper wires braiding  
(minimum density 90%)
- 7. Sheath:** polyolefin, type SHF 1 acc. to IEC 60092-359  
(SHF2 on request)



### OZNAKA NA PLAŠTU

**ELKA CS ATOX-MARIN TBXOZO-HFVO nxSmm<sup>2</sup>**  
60 V/250 V (ili 0,6/1 kV)  
IEC 60092-376, IEC 60332-3A, IEC 60331  
(ili IEC 60092-353, IEC 60332-3A, IEC 60331)

#### Boje izolacije:

Bijela ili crna, s brojevima: 1, 2 ... n

**Konstrukcija parica:** 1-2; 3-4; 5-6

**Boja plašta:** siva ili narančasta

### SHEATH MARKING

**ELKA CS ATOX-MARIN TBXOZO-HFVO nxS mm<sup>2</sup> 60**  
V/250 V (or 0,6/1 kV)  
IEC 60092-376, IEC 60332-3A, IEC 60331  
(or IEC 60092-353, IEC 60332-3A, IEC 60331)

#### Insulation colours:

White or black, numbered: 1, 2 ... n

**Pairs construction:** 1-2; 3-4; 5-6

**Sheath colour:** gray or orange