

EpN 58

TEŠKI RUDARSKI KABEL ZA BUŠILICE

Tipaska oznaka: EpN 58

Norma: HRN N.C5.358

Nazivni napon: 450/750 kV

Ispitni napon: 2,5 kV

Dozvoljena temperatura vodiča: 90°C

Temperatura kratkog spoja: 250°C

OPIS KONSTRUKCIJE

- 1. Vodič:** bakreno pokositreno finožično uže
- 2. Izolacija:** gumena mješavina na temelju etilen-propilenskog elastomera (EPDM)
- 3. Separator:** poliesterska i gumirana tekstilna vrpca
- 4. Unutarnji plašt:** gumena mješavina na temelju prirodnog i stiren-butadienskog elastomera (NR+SBR)
- 5. Antitorzioni oplet:** oplet pogodnim nitima
- 6. Plašt:** gumena mješavina na temelju polikloroprenskog elastomera (PCP)

Boja plašta: žuta

HEAVY MINING CABLE FOR DRILLS

Type coded: EpN 58

Standard: HRN N.C5.358

Nominal voltage: 450/750 kV

Test voltage: 2,5 kV

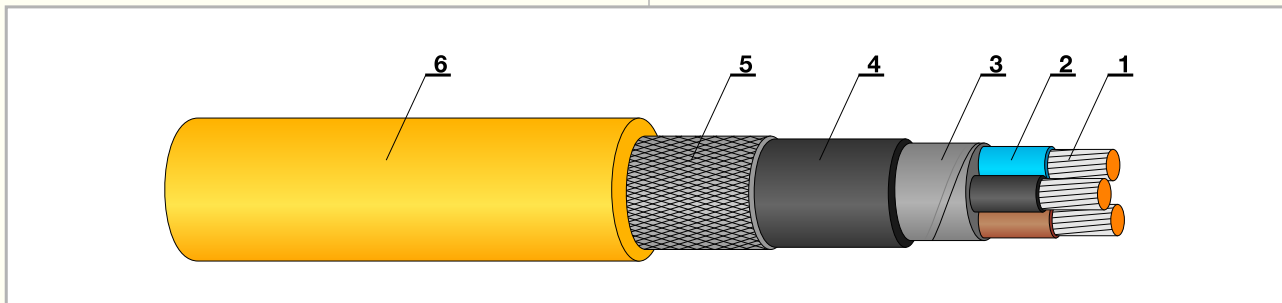
Permissible conductor temperature: 90°C

Short circuit temperature: 250°C

CONSTRUCTION DESCRIPTION

- 1. Conductor:** tinned copper fine-wired rope
- 2. Insulation:** rubber compound at ethylene-propylene elastomere base (EPDM)
- 3. Separator:** polyester and rubberised textile tape
- 4. Inner sheath:** rubber compound at natural and styrene-butadiene elastomere base (NR+SBR).
- 5. Anti-torsion braiding:** braiding with suitable threads
- 6. Sheath:** rubber compound at polychloroprene elastomere base (PCP)

Sheath colour: yellow



NATPIS NA PLAŠTU

EpN 58 5x6 mm² 450/750 V ELKA HR god. proizvodnje

MJESTO I PODRUČJE UPORABE

Zbog visokog stupnja savitljivosti i otpornosti na torziona naprezanja, ovaj kabel se rabi u kamenolomima, u rudnicima s podzemnim kopom za napajanje obrtnih bušilica el. energijom.

Tablica 6.4.1. Konstruktivski podaci za **EpN 58**

SHEATH INSCRIPTION

EpN 58 5x6 mm² 450/750 V ELKA HR year of production

PLACE AND FIELD OF APPLICATION

Due to its high grade flexibility and resistance to torsion strains, this cable is applied in quarries, in mines with under ground exploitation for supply of craft drills with electric power.

Table 6.4.1. Construction data for **EpN 58**

Konstrukcija / Construction	Promjer faznog vodiča / Phase conductor diameter	Debljina izolacije / Insulation thickness	Debljina plašta / Sheath thickness	Vanjski promjer / External diameter	Približna težina kabela / Approx. cable weight	Trajna radna struja / Continuous operating current	Pakiranje / Packing	
							Dužina / Length	Bubanj / Drum
nxS mm ²	mm	mm	mm	mm	kg/km	A	m	BD-
5x6	5,00	0,9	2,2	21,7	715	56	1000	BD-

n - broj faznih vodiča / number of phase conductors

S - presjek faznog vodiča / phase conductor cross-section